

DATASHEET - SD 150 Ex SOUNDER /HORN

AUDIBLE & VISUAL SIGNALLING EQUIPMENT



DESCRIPTION - SD 150 Ex SOUNDER /HORN

This sounder is certified for use in Atex/explosive atmosphere, zone 1 & 2 for gas and zone 21 & 22 for dust. It is dedicated for Oil & Gas, chemical, petrochemical, pharmacy industries, marine and Offshore applications. It's designed for corrosive environments and hazardous area.

This sounder, according to user control system, can be set with one tone among 59 prerecorded tones.

Optional it is possible to control the sounder via a telephone line.

Housing is moulded in Glass-Reinforced Polyester (GRP), dyed in the mass and protected by an UV resistant paint.

A complete range of accessories is available to customize a products. (see accessories annex)



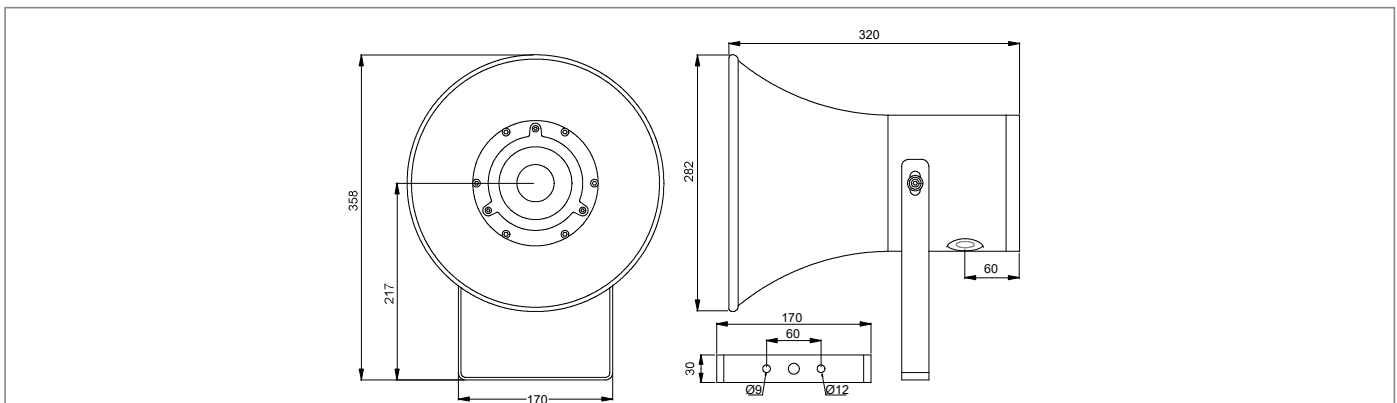
- zone 1 & 2
- zone 21 & 22

PRODUCT CODE CONFIGURATOR

VOLTAGE	DUTY LABEL	TAG LABEL	CABLE ENTRY	FINISH COLOUR	TELEPHONE INITIATED
DC 12 .. 48V DC	Y = YES	Y = YES	A = M20	<input checked="" type="checkbox"/> RD = RED	Y = YES
AC1 12..48V AC			B = M25	<input checked="" type="checkbox"/> YW = YELLOW	
AC 100 .. 240V AC	N = NO	N = NO	C = 1/2" NPT	<input checked="" type="checkbox"/> BU = BLUE	N = NO
OR (OTHER REQUEST)			D = 3/4" NPT	<input checked="" type="checkbox"/> BL = BLACK	
				<input type="checkbox"/> OR = OTHER ON REQUEST	

ADD THE CODES RELATED TO THE FEATURES REQUIRED TO SD150:

--	--	--	--	--	--

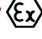


03. 12. 2015 | ADSSD150 | page 1/2

DATASHEET - SD 150 Ex SOUNDER /HORN

AUDIBLE & VISUAL SIGNALLING EQUIPMENT

TECHNICAL DATA

MATERIAL	• ENCLOSURE : Glass-Reinforced Polyester (GRP) • BRACKET : Stainless Steel 316L
COLOUR	• RED : RAL 3001 - YELLOW** : RAL1018 - BLUE** : RAL5005 - BLACK** : RAL9004
INGRESS PROTECTION	• IP66/67
AMBIENT TEMPERATURE FOR OPERATION	• T6 = - 40°C ~ + 55°C , T5 = - 40°C ~ + 60°C, T4 = - 40°C ~ + 70°C
CERTIFICATION	• Nemko 13 ATEX 1562X, IECEX NEM 13.0032X
EX CODE	•  II 2 GD Ex d IIC T4 ~ T6 Gb, Ex tb IIIC T135°C ~T85°C,
STANDARD	• EN / IEC 60079-0, EN / IEC 60079-1, EN / IEC 60079-31, EN 54-3
ATEX AREA ZONE	• Gas zone: 1 & 2 Dust zone: 21 & 22
AMBIENT HUMIDITY*	• until 95%*
POWER SUPPLY	• 12-48V DC • 12-48V AC (50/60hz) • 100-240V AC (50/60hz)
RATED IMPULSE WITHSTAND VOLTAGE	• 1kV following IEC 61000-4-5
CONSUMPTION	• Adjustable from 5 to 25 W (factory setting 20W)
CURRENT CONSUMPTION	• 0.5 to 1 A
SIGNALLING TYPE	• 59 tones siren. Specific customer tones can be recorded in factory
NOISE LEVEL	• Until 115 dB at 1 m
CABLES ENTRY	• 2 x M20, M25**, 1/2" NPT**, 3/4" NPT** or other** (Specify)
TERMINAL	• From 22 to 14 AWG - from 0.50 mm ² to 2.5 mm ²
NET WEIGHT	• 5.4 Kg
EXTERNAL TRIGGER**	• 25Hz <f<50Hz 40V<u<100V Z = 2k Ohms

* = without runoff - ** = optional - cable gland and blind plug not provided