



## Floodlight for Lamps up to 500W for Zones 2 and 22 Series nD 2770/2780

### Applications:

Hazardous areas of Zones 2 and 22 classification.

### Design:

Housing and glass retaining frame are made from weather resistant diecast aluminium, powder coated in black (RAL 9005 mat). The glass frame is locked by 2 socket head cap screws (M6) and it is hinged to body after opening. The electrical components are located inside the floodlight.

Reflector: Depolished purest aluminium.

Front cover: Thermal safety glass glued into the frame.

Connection terminal: Standard: 3 poles for max. 2,5mm<sup>2</sup> conductor Ø.

Cable entry: 1 gland 1 x M20 x 1.5.

For some versions heat resistant connection cable is required.

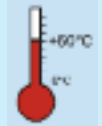
Operating position: Lamp orientation horizontal.

### Installation:

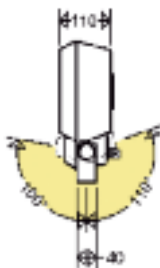
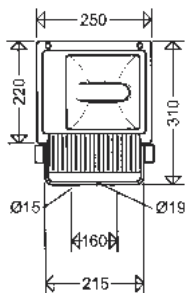
Aluminium stirrup that can be tilted infinitely around the longitudinal axis of the floodlight. Max. range of tilting please see diagrams.

### Schuch Quality - your advantage:

- sturdy, high-grade floodlight for reliable and safe long-term use
- compact design, with all electrical components ready for connection
- high-efficient light technical optimized mirror system with high light efficiency factor
- excellent light distribution, glare limitation and minimized stray
- easy to install and to maintain
  - suitable for gas- and dust-hazardous areas (Zone 2 and 22)
  - wide range of Permissible ambient temperatures -20°C up to +50°C
  - for lamps from 80 W up to 500 W



Series nD 2770...



nD2770...



II 3 G Ex nR IIC  
T3/T4 Gc

II 3 D Ex tc IIIC  
T160-195°C Dc

IP66/67



0,5m

up to 150W, high bay / low bay version

Ignition protection: nR

Marking:

II 3 G Ex nR IIC T3/T4 Gc (Zone 2)

II 3 D Ex tc IIIC T160-195°C Dc (Zone 22)

Permissible ambient temperature:

-30°C up to +40°C or up to +50°C

Rated voltage: 220V up to 240V AC/DC,

0 or 50/60 Hz, depending on version.



Type	Article no.	Temp. class/ max. surface temp.	admiss. amb. temp.	Lamps/ W	Weight ca. kg <sup>2)</sup>
------	-------------	------------------------------------	--------------------	-------------	--------------------------------

for tungsten halogen lamps up to 150W, socket E27

nD2770/100 QT	27702 0001	T3/160°C	50°C	1 x QT 100	3,5
nD2770/150 QT	27702 0003	T3/195°C	50°C	1 x QT 150	3,5

for discharge lamps up to 125W, socket E27

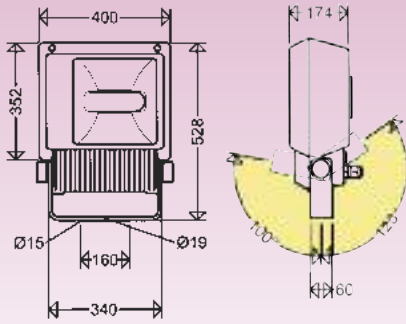
nD2770/70HIE	27702 0013 <sup>1)</sup>	T3/160°C	50°C	1 x HIE 70	4,8
--------------	--------------------------	----------	------	------------	-----

1) Uncomp. 230V/50Hz

2) Weights without packing material



Series nD 2780...

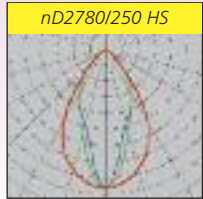


## nD2780... II 3 G Ex nR IIC T3/T4 Gc IP66/67

up to 500W, low bay version

Ignition protection: nR  
 Marking:  
 II 3 G Ex nR IIC T3/T4 Gc (Zone 2)  
 II 3 D Ex tc IIIC T160-200°C (Zone 22)

Rated voltage: 220V up to 240V AC, 0 or 50/60 Hz, depending on version.  
 Permissible ambient temperature: -30°C up to +40°C or up to +50°C



Type	Article no.	Temp. class/ max. surface temp.	admiss. amb. temp.	Lamps/ W	Weight ca. kg <sup>7)</sup>
<b>for tungsten halogen lamps up to 500W, socket E27 or E40</b>					
nD2780/250 QT <sup>4)</sup>	27802 0001	T3/150°C <sup>2)</sup>	50°C	1 x QT32 250	7,6
nD2780/500 QT	27802 0003	T3/190°C	40°C	1 x QT38 500 <sup>3)</sup>	7,6
<b>for discharge lamps up to 400W, socket E40</b>					
nD2780/150 HS	27802 0005 <sup>1)</sup>	T4/130°C	40°C	1 x HST 150	8,2
nD2780/250 HS	27802 0007 <sup>1)</sup>	T3/200°C	50°C <sup>5)</sup>	1 x HST 250	12,1
nD2780/400 HS	27802 0009 <sup>1)</sup>	T3/200°C	40°C	1 x HST 400	14,9
nD2780/250 HI	27802 0011 <sup>1)</sup>	T3/200°C	50°C	1 x HIT-CE/HIT 250	12,1
nD2780/400 HI	27802 0013 <sup>1)</sup>	T3/200°C	40°C	1 x HIT 400 <sup>6)</sup>	12,1

- 1) Uncomp. 230V/50Hz, article nos. for comp. see price list  
 2) Temp. class T4 upon request  
 3) IDE der Fa. Philips  
 4) For tungsten halogen lamps  
 5) Permissible ambient temperature comp. 40°C  
 6) HIT-CE on demand  
 7) Weights without packing material



Explosion-Protected Light Fittings Zone 2/22



nD2780... mit Schutzgitter



### Further series / Equipment

- with connection terminals up to 6mm<sup>2</sup> (series nD2780 only)
- with protective grid

### Accessories / Spare Parts

Type	Article no.	Product
2780 SG	27801 9001	wire gard (mesh size 40mm)
27700	27701 9000	spare glass with frame (nD 2770)
27800	27801 9000	spare glass with frame (nD 2780)
2531 MSD	90120 9007	ex-proof brass gland M20 x 1,5 (nD2770 and nD2780...)
2532 MS	90121 9001	ex-proof brass plug M20 x 1,5 M20 x 1,5 (nD2770 and nD2780...)