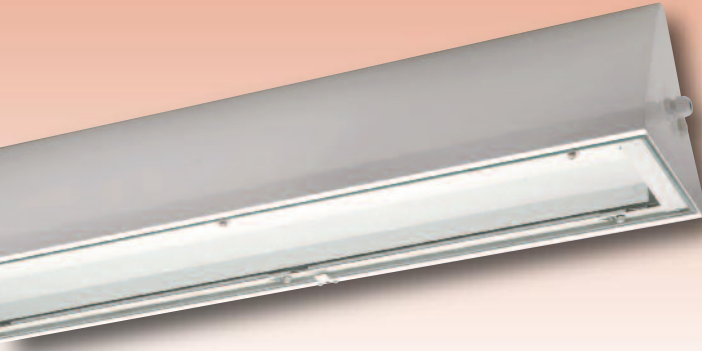


Explosion-Protected Sheet Steel Light Fitting for Dust Hazardous Areas Series e187/188..



Explosion protected Light Fittings Zone 1

Applications:

Hazardous areas of Zones 1, 21 and 2, 22, especially for dust hazardous areas of Zones 21/22

Design:

Housing: Sheet steel, powder coated in white (RAL 9016); stainless steel on request.

Glass cover: Impact resistant safety glass pane, frameless / hinged.

Reflector: Hinged; white painted sheet steel; detachable.

Central locking system: Operated by a 5mm allen key, internal aluminium hinges on the opposite side.

Isolating switch: Switching off all poles when the light fitting is opened. Optical

indicator showing the actual position of the switch.

Wiring: Double channel ballast, with "end-of-life switching-off system"

Connecting terminal: Standard L1 + N +PE, up to 6,0mm².

Cable entries: 3 entries M25 x 1,5 (2 glands, 1 of them with plug and 1 screw plug) LOOP-IN/OUT possible, for some versions temperature resistant cable is required

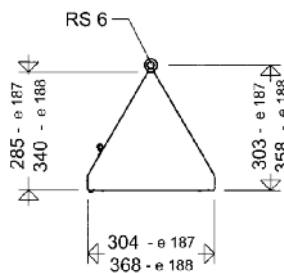
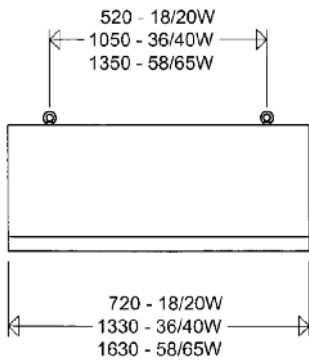
Through wiring system: 5 x 2,5mm² through wiring or preparation for 5-pole LOOP-IN/OUT at extra charge

Mounting: Horizontal, with 2 eyebolts (included).

Attention:

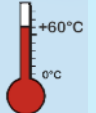
For installation in humid and corrosive atmospheres please select light fittings with housings in stainless steel.

When switched off the light fittings must not be exposed to an a.t. of more than +85°C. Special versions available for extreme conditions (short cycle operation, e.g. rain storage reservoirs or wastewater treatment plants and equivalent) Type E1003 to be selected (please contact us).



Schuch Quality - your advantage:

- sturdy design of high chemical resistance for application in rough industrial conditions:
- reliable, fail-safe and long-life thanks to a special ex-protected ECG with outstanding quality features:
 - "end-of-life switching-off system" i.e. at the end of its life a fluorescent tube is safely switched off (worldwide first certification acc. to the latest IEC standards IEC 60079-7 with 2 safety circuits test 1 and test 2)
 - in compliance with the requirements of over voltage category III (standard = over voltage category II)
 - widened interference suppression up to 300MHz (standard = 30MHz)
 - double channel system for separate lamp operation
 - extremely favourable operating temperatures thanks to a special quartz sand encapsulation inside an aluminium housing are a guaranteed for a long life time (up to 100.000h) and a low failure rate
- best suitable for mounting and maintenance purpose
 - suspension mount by means of chains or steel cables
 - Original SCHUCH central locking system with hinged safety glass pane
 - easily accessible connection compartment via hinged reflector
- wide range of application and flexibility at most different environmental conditions
 - certification for installation in gas and dust atmospheres (zones 1 and 21)
 - wide and admissible range of ambient temperature from -20°C to +60°C
 - for connection to central- or group battery systems with DC-detection and change-over to 1-lamp operation (emergency mode - types ... ZB)



e187..



II 2 G Ex d e q IIC T4 Gb

II 2 D Ex tb IIIC T80°C Db



EC-Type Examination Certificate:

IBExU 02 ATEX 1018

TÜV 12 ATEX 097164

Marking:

II 2 G Ex d e q IIC T4 (Zone 1)

II 2 D Ex tb IIIC T80°C Db (Zone 21)

Ignition protection: e (increased safety)

Admissible ambient temperature:

-20°C to +50°C (1 or 2 lamps)

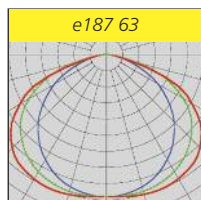
-20°C to +40°C (3 or 4 lamps)

special version up to +60°C.

Rated voltage: 220-240 V AC/DC, 0 or 50/60 Hz.



Type	Article no.	max. Amb. Temp.	Lamps Watt	Weight ca. kg
e187 21	18700 0001	60°C	1 x T 26/18 W	12,6
e187 22	18700 0002	60°C	2 x T 26/18 W	12,6
e187 23	18700 0009	60°C	3 x T 26/18 W	14,4
e187 41	18700 0003	60°C	1 x T 26/36 W	20,2
e187 42	18700 0004	60°C	2 x T 26/36 W	20,2
e187 43	18700 0010	55°C	3 x T 26/36 W	22,0
e187 61	18700 0005	55°C	1 x T 26/58 W	23,8
e187 62	18700 0006	55°C	2 x T 26/58 W	23,8
e187 63	18700 0011	50°C	3 x T 26/58 W	25,8

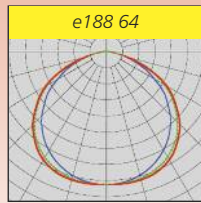


Looping the cable on one side:

All light fittings of series e187/188.. have got 2 cable entries on one small side of the housing for cable looping instead of the through wiring system.



Type	Article no.	max. Amb. Temp.	Lamps Watt	Weight ca. kg
------	-------------	-----------------	------------	---------------



e188 23	18700 0201	55°C	3 x T 26/18 W	17,6
e188 24	18700 0202	55°C	4 x T 26/18 W	17,6
e188 43	18700 0203	60°C	3 x T 26/36 W	25,2
e188 44	18700 0204	55°C	4 x T 26/36 W	25,2
e188 63	18700 0205	50°C	3 x T 26/58 W	29,0
e188 64	18700 0206	40°C	4 x T 26/58 W	29,0

! Further series / equipment

- up to 4 cable entries
- housing made from stainless steel – painted
- different glands
- through wiring system up to 5 x 6.0 mm²
- for connection to central- or group battery system with DC-detection and change-over to 1-lamp operation (emergency mode - types e181/182 ... ZB)
- with DC-detection and switching over to 1-lamp DC-operation. Application in group- or central battery systems (types e187/188 ... ZB)
- with monitoring module for individual monitoring the light fitting connected to a central or group battery system
- without isolating switch (types e187/188... OS)
- stainless steel housing powder coated
- silicone-free version
- zone 2/22 version (series nD187/188...)
- non explosion protected version (series 187/188..., see dust- and waterproof fittings in catalogue)

Accessories / Spare Parts

Type	Article no.	
Spare glass panes		
181 18-1	18090 9001	for narrow housings, 1, 2 und 3 x 18 W
181 36-1	18090 9002	for narrow housings, 1, 2 und 3 x 36 W
181 58-1	18090 9003	for narrow housings, 1, 2 und 3 x 58 W
182 18-1	18090 9004	for wide housings, 3 und 4 x 18 W
182 36-1	18090 9005	for wide housings, 3 und 4 x 36 W
182 58-1	18090 9006	for wide housings, 3 und 4 x 58 W
Cable entries/glands for e187/188..		
2537 G	90117 9006	ex-protected gland of size M25 x 1,5 with nut
2539 G	90119 9001	ex-protected gland of size M25 x 1,5 with nut and with plug
2538 G	90118 9006	ex-protected plug of size M25 x 1,5 with nut
Lamp holders		
e8911 P	90189 9011	1 pair of turn-latch lamp holders for fittings manufactured from 09/2009

Further accessories such as carrier rail systems and through wiring systems are available.