

NEW

LED-Floodlight/ plane surface floodlight for Zones 2 and 22 Series nD8800...



Applications:

Hazardous locations of Zones 2 (gas atmosphere) and 22 (dust atmosphere), stockyards, building sites, open-air grounds, chemical and petrochemical areas etc..

Design:

Housing and glass retaining frame are made from weather resistant diecast aluminium. The glass frame is locked by 2 socket head cap screws (M6) and it is hinged to the body after opening. The electrical components are located inside

the floodlight.

Front cover: Thermal safety glass.

Connection terminal: Standard: 3 poles for max. 2,5mm² conductor Ø.

Cable entry: 1 gland M25 x 1.5.

Installation:

Aluminium bracket that can be tilted infinitely around the longitudinal axis of the floodlight.

Technical Data:

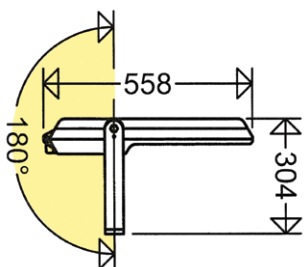
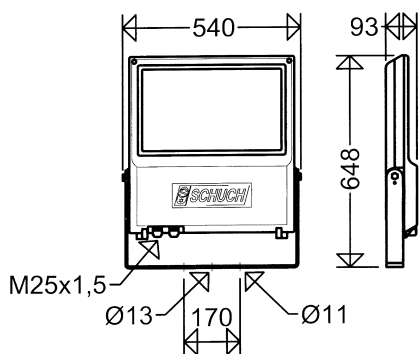
LED: Highpower-LED 4,000K, Ra > 70, life cycle L80 B10 > 50.000h (at max. ambient temperature).

ECG: 220 - 240V, 50-60Hz. Due to the inrush current of the electronic ballasts, the maximum permissible number of light fittings per circuit breaker is limited. surge voltage resistance 4kV, excess temperature protection-, overload and short circuit protection, temperature monitoring of the LED modules

Ambient temperature: -20°C up to +40°C

Optionen:

- dimmable version 1-10V interface (DIMA) for analog components
- light output reduction (LR) per 230V control line (dimmable)
- DALI interface for dim light operation
- uniform luminous flux option (CL) to keep the light output on same level for the whole life cycle



Schuch Quality - your advantage:

- sturdy, high-grade floodlight for reliable and safe long-term use
- compact design, with all electrical components
- excellent light distribution and glare limitation
- easy to install and to maintain
- suitable for gas- and dust-hazardous areas (Zone 2 and 22)
- ECG and LED-modules replacable by end-user
- optimized thermo management due to direct adaption of the LED modules at the housing, huge heat sink with excellent heat dissipation

Article no.	Type	Power consumption [W] *	Luminous flux ca. [lm] *	Luminous efficacy [lm/W] **	Energy efficiency class	Substitute for **	Weight [kg] (without packing material)
-------------	------	-------------------------	--------------------------	-----------------------------	-------------------------	-------------------	--

nD8800/ ...



II 3 G Ex nR IIC T4 Gc

II 3 D Ex tc IIIC T100°C Dc

IP66



Ignition protection: nR

Marking:

II 3 G Ex nR IIC T4 Gc (Zone 2)

II 3 D Ex tc IIIC T100°C Dc (Zone 22)

Rated voltage: 220V up to 240V AC, 50/60 Hz

wide beam

88000	nD8800 6403	137	16.530	121	A++	HIT 250W	14,5
88000	nD8800 12803	274	31.550	115	A++	HIT 400W	16,0

narrow wide beam

88000	nD8800 6403 TB	137	16.640	121	A++	HIT 250W	14,5
88000	nD8800 12802 TB	194	24.180	125	A++	HIE 400W	16,0

asymmetrical beam (plane surface floodlight)

88000	nD8800 6403A	137	15.770	115	A++	HIT 250W	14,5
88000	nD8800 12802A	194	23.070	119	A++	HIE 400W	16,0

* see notes ** The given information is for rough orientation only. In each individual case a lighting calculation is necessary.

Accessories / Spare Parts

Article no.	Type	
78001 9001	7800/010	Spare safety glass

Notes:

Limitations for LED-light fittings: See chapter „Use of LED lighting in corrosive atmospheres“ in the Technical Appendix.

All technical data is relevant at the time of print. Actual technical data can be found in the internet under www.schuch.de.