

Explosion-proof LED Floodlight

Series d9000...

Applications:

Hazardous locations of zones 1, 2 and 21, 22, onshore and offshore installations, loading stations, oil rigs, silos etc.

Design:

Housing and glass retaining frame:

From weather-resistant cast aluminium.

Operating unit located inside the housing.

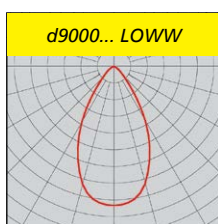
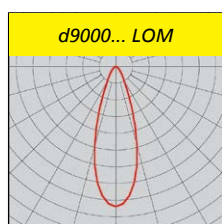
Safety glass pane: Resistant to temperature variations, sealed into the frame, hingeable.

Light control: LED optics with narrow (LOM) or narrow/wide (LOWW) beaming

characteristics.

Connection terminal: Standard: L1+N+PE, clamping range: 2,5mm².

Mounting: Stainless steel bracket, infinitely swivelling around the longitudinal axis of the floodlight.



Technical Data:

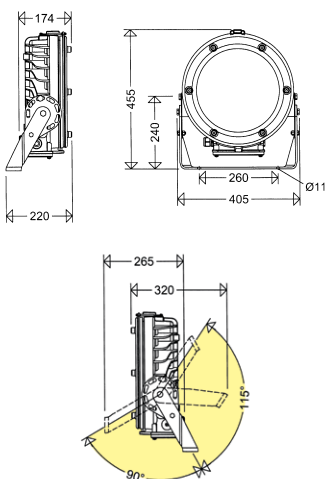
LED: Highpower LED, typically ca. 5.000K, colour reproduction typically $R_a 75$, shelf life $L_{95} B_{10} > 50.000h$ at max. ambient temperature (see notes)

ECG: 220V - 240V AC, 50/60Hz. Due to the inrush current of the electronic ballasts, the maximum permissible number of light fittings per circuit breaker is limited. Overvoltage protection 3kV, excess temperature protection-, overload and short circuit protection.

Ambient temperature: -20°C up to +40°C

Options:

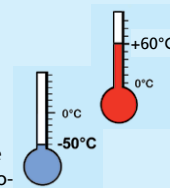
- for ambient temperatures from -50°C up to +40°C/+50°C/+60°C (as per technical version)
- 2 cable glands for cable looping
- hard coating
- grid
- clamping range up to 6mm²



Swivel range: ± 205

Schuch Quality - your advantage:

- fully adequate substitute for a 250W HI-projector (type d9000/4204)
- applicable in a wide temperature range from -20°C to +40°C (on demand from -50°C to +60°C depending on version)
- housing and glass retaining frame made out of an excellent quality copper-free aluminium alloy (British Standard Marine Grade BS EN 13195) without additional painting or coating, also applicable in rough offshore installations
- instant light with maximum luminous flux even at very low temperatures (increased luminous flux)
- extremely low luminous flux decline during life cycle ($L_{95} B_{10}$)
- optimal thermal management possible by direct connection from the LED to the housing, large cooling surface, excellent thermal conductivity
- homogeneous and effective light distribution by specially calculated lens optics
- resistant against vibrations and shakings
- infinitely adjustable tilt angle
- almost maintenance-free operation due to long service life of the LED



Notes:

Limitations for LED-light fittings: See chapter „Use of LED lighting in corrosive atmospheres“ in the Technical Appendix.

All technical data is relevant at the time of print. Actual technical data can be found in the internet under www.schuch.de.



Article no.	Type	Power consumption W *	Luminous flux [lm] *	Luminous efficacy [lm/W]	Temperature class	Energy efficiency class	Substitute for **	Weight (ca. kg) (without packaging material)
-------------	------	-----------------------	----------------------	--------------------------	-------------------	-------------------------	-------------------	---

d9000 ...



II 2 G Ex d e op is
IIC T4/T6 Gb

II 2 D Ex tb IIIC
T80°C Db

IP66/67



EC-Type Examination Certificate:

PTB12 ATEX 1030

Other approvals:

IECEX PTB12.0057

Marking:

II 2 G Ex d e op is IIC T4/T6 Gb (Zone 1)

II 2 D Ex tb IIIC T80°C Db (Zone 21)

Ignition protection: d (flameproof)

Ambient temperature:

-20°C up to +40°C, -50°C up to

+50/60°C depending on version

on demand

Rated voltage: 220V - 240V AC, 50/60Hz

narrow beam

89000 0001	d9000/4201LOM	48	4.400	92	T6	A++	HST70/HIE150/HME250	16,8
89000 0002	d9000/4203LOM	90	7.700	86	T6	A+	HST150	16,8
89000 0003	d9000/4204LOM	135	10.200	76	T4	A+	HIT250/HSE250	16,8

narrow wide beam

89000 0004	d9000/4201LOWW	48	4.400	92	T6	A++	HST70/HIE150/HME250	16,8
89000 0005	d9000/4203LOWW	90	7.700	86	T6	A+	HST150	16,8
89000 0006	d9000/4204LOWW	135	10.200	76	T4	A+	HIT250/HSE250	16,8

* see notes

** The given information is for rough orientation only. In each individual case a lighting calculation is necessary.

Explosion protected
Light Fittings

Accessories / Spare Parts

Article no.	Type	
90117 9000	2537	Ex-protected plastic cable gland M25 x 1,5
90118 9000	2538	Ex-protected plastic plug M25 x 1,5