

# Technor

## EEx ed/emd pendant control stations

### XAW-P



### Features

The XAW-P range of Pendant control stations consists of several sizes from 2 to 16 ways.

- Booted pushbutton operators (interchangeable)
- From 1 to 3 contacts per way
- Pilot light (with LED multivoltage, multicurrent)
- Emergency mushroom head Ø40
- Standard and flexible composition
- One or two step(s) action per way
- IP 65 as standard
- Cable boot suitable for Ø10 to Ø22 mm cable
- Standard and flexible arrangement
- ATEX approved for Gas and Dust applications (Zones 1, 2, 21 and 22)

### Applications

The XAW-P range of pendant control stations is suitable for all kind of industry where an explosive atmosphere may be present. This range is certified ATEX II 2 GD

### General specifications

Material	Metal, Rubber and GRP
IP Rating	IP65 according to IEC 60529
Temperature	-20°C to +60°C (without lighting functions) -20°C to +50°C (with lighting functions)
Approvals	ATEX - INERIS 03ATEX0122
Standards	Cenelec EN50014, EN50018, EN50019, EN50028, EN500281-1-1
Ex-Code	Ⓔ II 2 GD - EEx ed IIC / EEx emd IIC
Mounting	Assembly of components only by Technor
Connection	Screw clamp terminals From 1 x 0,5 mm <sup>2</sup> cable to 2 x 1,5 mm <sup>2</sup> cable (with or without ferrule)
Cable entry capacity	for Ø10 to Ø22 mm cable

Use of each unit must be solely limited to its intended purpose

These devices must be installed, used and maintained in accordance with:

- Standard EN 60 079-14 (electrical installations and gaseous explosive atmosphere)
- Standard EN 60 079-17 (inspection and maintenance in hazardous areas)
- Standard EN 50 281-1-2 (electrical apparatus for use in the presence of combustible dust. Part 1-2: electrical apparatus protected by enclosures – Selection, installation and maintenance).
- Decrees, orders, laws, directives, circulars of applications, standards, regulations and any other document about their installation's place.

We cannot accept any responsibility for failure to observe these regulations

#### Important:

Approved and qualified staff must carry out device installation, assembling, connection, operation, maintenance and repairing.

The function of these products must be respected.

«Liability for manufacturer traceability is ensured at the first known delivery destination.»



XAWP8...

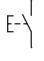
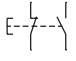
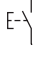
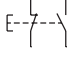

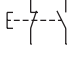


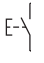
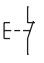
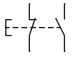
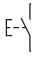
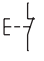
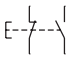
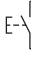

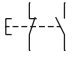
XAWP4...




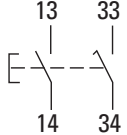

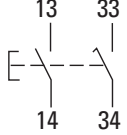

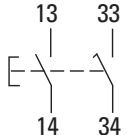
ZA2BS54 + ZBWE102

### Stations


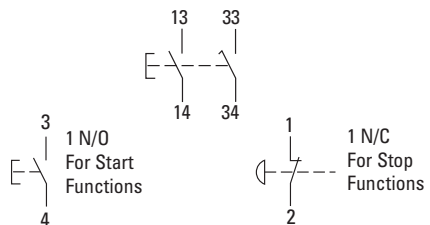

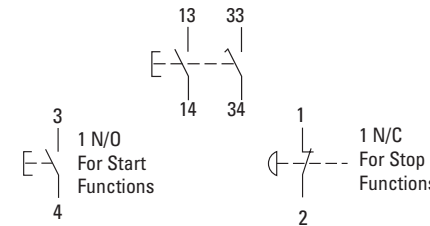

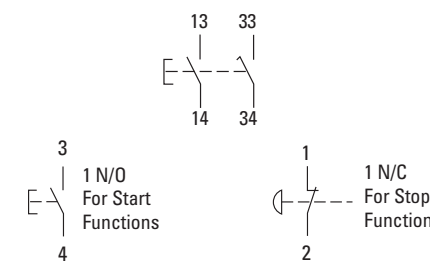
Fitted with interchangeable booted operators and cable boot suitable for Ø10 to Ø22mm				
Number of way	Function	Contact blocks mounted on each way	Reference	Weight Kg
2	↑ ↓	E-  1 N/O	XAWP271	0,940
		E-  1 N/C + 1 N/O	XAWP281	1,000
4	↑ ↓ ← →	E-  1 N/O	XAWP471	1,290
		E-  1 N/C + 1 N/O	XAWP481	1,400
6	↑ ↓ ← → ↗ ↘	E-  1 N/O	XAWP671	1,650
		E-  1 N/C + 1 N/O	XAWP681	1,800

Fitted with interchangeable booted pushbutton, operators with start and emergency stop functions. With labels in yellow blank and cable boot suitable for Ø10 to Ø22mm cable					
Number of way	Function	Contact blocks mounted on each way	Reference	Weight Kg	
4	↑ ↓ <b>I</b> <b>O</b>	E-  1 N/O For Direction and Start Functions	E-  1 N/C For Stop Function	XAWP472	1,320
		E-  1 N/C + 1 N/O For All Functions		XAWP482	1,380
6	↑ ↓ ← → <b>I</b> <b>O</b>	E-  1 N/O For Direction and Start Functions	E-  1 N/C For Stop Function	XAWP672	1,650
		E-  1 N/C + 1 N/O For All Functions		XAWP682	1,690
8	↑ ↓ ← → ↗ ↘ <b>I</b> <b>O</b>	E-  1 N/O For Direction and Start Functions	E-  1 N/C For Stop Function	XAWP872	2,000
		E-  1 N/C + 1 N/O For All Functions		XAWP882	2,250


### Double step pushbutton stations

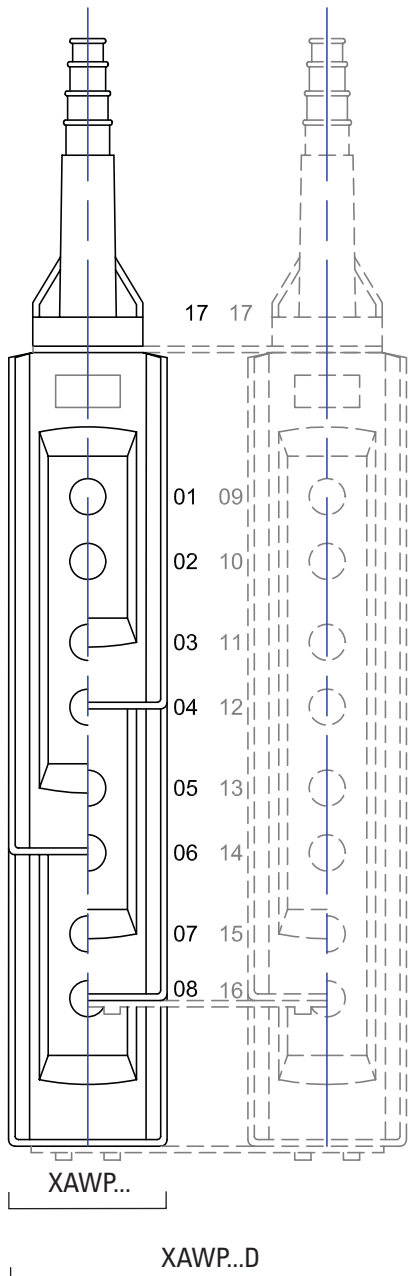
Fitted with "double" step mechanism on each pushbutton. Legend plate 30x40mm black or white symbols on white or black background. Cable boot suitable for Ø10 to Ø22mm				
Number of way	Function	Contact blocks	Reference	Weight Kg
2			XAWP2271	1,000
4			XAWP4271	1,400
6			XAWP6271	1,800

### Double step pushbutton stations

Fitted with "double" step mechanism on each indicator. Illuminated or not start pushbutton label I, red Ø40 Mushroom head latching to release, yellow blank label, cable boot suitable for Ø10 to Ø22mm				
Number of way	Function	Contact blocks	Reference	Weight Kg
4			XAWP4272 with standard START pushbutton XAWP4373 with illuminated START pushbutton	1,350
6			XAWP6272 with standard START pushbutton XAWP6373 with illuminated START pushbutton	1,800
8			XAWP8272 with standard START pushbutton XAWP8373 with illuminated START pushbutton	2,250

### Design your own pendant control station.

<i>Company / Société:</i>		
<i>Order number/numéro de commande:</i>	<i>Quotation ref./numéro de l'offre:</i>	<i>Quotation delivery time/ délai du devis:</i>
<i>Date:</i>		
<i>Required delivery time/délai demandé :</i>		
<i>Client ref./ Réf. client :</i>	<i>Enclosure reference/ référence de boîte:</i>	<i>Quantity/ quantité:</i>



<i>Item Pos.</i>	<i>CONTACT</i>	<i>HEAD</i>	<i>LABEL</i>
01			
02			
03			
04			
05			
06			
07			
08			
09			
10			
11			
12			
13			
14			
15			
16			
17	<i>self supporting accessory ; amarrage filin auto-porteur ;</i>		

### Accessories and spare parts

Type	Function	Reference
Empty pendant control station for mounting exclusively by TECHNOR	02 buttons	XAWP029
	04 buttons	XAWP049
	06 buttons	XAWP069
	08 buttons	XAWP089
	12 buttons	XAWP069D
	16 buttons	XAWP089D
Slow break contact block	N/O	ZBWE101
	N/C	ZBWE102
Complete booted pushbutton operator	White (W)	XAWP9411
	Black (B)	XAWP9412
	Green (G)	XAWP9413
	Red (R)	XAWP9414
Selector switches (Stayput)	2 pos. Black	XBW5AD21
	3 pos. Black	XBW5AD33
Illuminator pushbutton "Start"	Green (G)	XLW5AW3331
Pilot light + head (-24V to 415V AC-DC)	White	XLW5AV013
	Green	XLW5AV033
	Red	XLW5AV043
	Yellow	XLW5AV053
	Blue	XLW5AV063
Blank plug		XAWZ3
Double step push-buttons (use only with ZBWE101 contact blocks)	White (W)	XAWP9421
	Black (B)	XAWP9422
Emergency Mushroom head (Ø40)		ZA2BS54 + ZBWE102
Emergency Mushroom head (Ø30)		ZA2BS44 + ZBWE102



ZBWE101

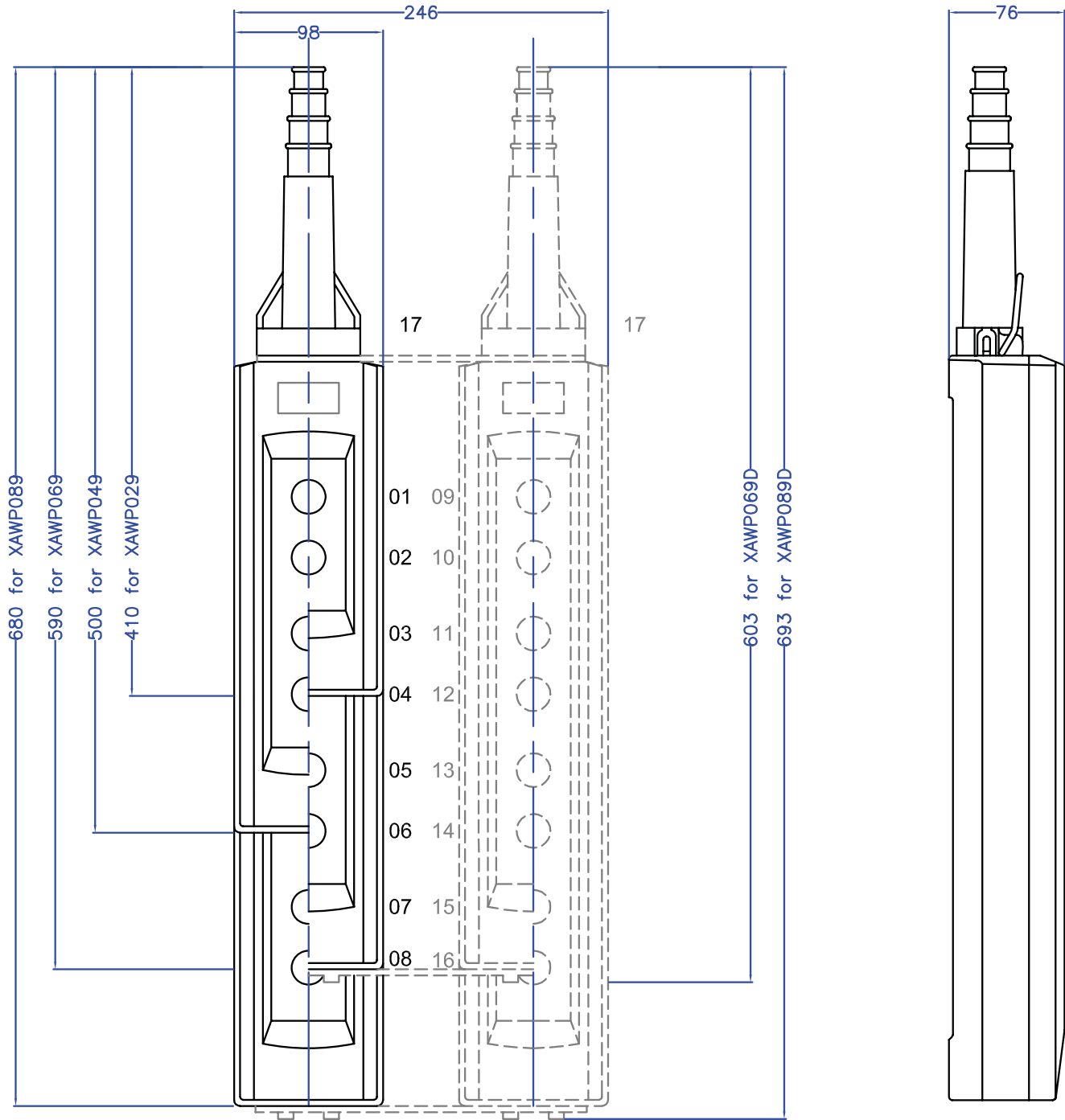


XAWP9411



XLW5AV033

ARROW for Double step pushbutton		ARROW for Single step pushbutton	
UP	ZBWY4953	UP	ZBWY4951
DOWN	ZBWY2956	DOWN	ZBWY2954
RIGHT	ZBWY4903	RIGHT	ZBWY4901
LEFT	ZBWY2906	LEFT	ZBWY2904
FORWARD	ZBWY4965	FORWARD	ZBWY4963
REVERSE	ZBWY2968	REVERSE	ZBWY2966
		FAST UP	ZBWY4952
		FAST DOWN	ZBWY2955
		FAST RIGHT	ZBWY4902
		FAST LEFT	ZBWY2905
		FAST FORWARD	ZBWY4964
		FAST REVERSE	ZBWY2967
		I	ZBWY4980
		O	ZBWY2931
		O - I	ZBWY2178
		I - II	ZBWY2179
		I - O - II	ZBWY2186
		EMERGENCY STOP	ZBWY2330



### Hazardous area information & terminology

#### ATEX Directive

The ATEX Directive, derived from the French "ATmosphères EXplosibles" and formally known as 94/9/EC, contains the ESR (Essential Safety Requirements) to which electrical equipment and protective systems used within potentially explosive atmospheres must conform.

The new ATEX Directive currently in place within the European Union was made mandatory on 1st July 2003. Primarily intended for manufacturers of hazardous area equipment for use in the presence of flammable gases, vapours, fumes or dusts, the new directive requires a quality management system to be implemented.

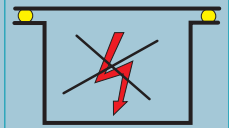
Procedures for design, manufacture and verification of products are to be approved by a notified body (i.e. INERIS, etc...) and all equipment conforming to the new directive will feature CE and epsilon Ex.

Zone Classification with the presence of DUST	
<b>Zone 21</b>	An area in which an explosive atmosphere in the form of a cloud of combustible dust in air is likely to occur in normal operation of the plant.
<b>Zone 22</b>	A place in which an explosive atmosphere in the form of a cloud of combustible dust in air is not likely to occur in normal operation, if it does occur, will persist for a short period only.

#### Applicable EX protection

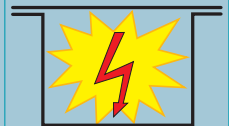
##### EEx e Protection

for electrical components that do not spark under normal working conditions but where measures are applied to prevent high temperatures and the occurrence of arcs and sparks internally.



##### EEx d Protection

Parts, which can ignite a potentially explosive atmosphere, are surrounded by an enclosure, which are designed to withstand the pressure of an internal explosion and to prevent the propagation of the explosion to the atmosphere surrounding the enclosure.



##### EEx m Protection

Parts that could ignite a potentially explosive atmosphere by means of heat or sparks are embedded in a sealing compound such that the potentially explosive atmosphere cannot be ignited. The compound is resistant to physical, electrical, thermal and chemical influences.



#### Zone Classification with the presence of GAS

<b>Zone 1 (Category 2)</b>	An area in which explosive gas is likely to be present during normal operation of the plant.
<b>Zone 2 (Category 3)</b>	An area in which explosive gas is not continuously present, but may exist for a short period of time.

